

CURRENT TRANSFORMER

Model CTO

APPLICATION:

Metering and relaying.

FREQUENCY:

50-60 Hz.

MAXIMUM SYSTEM VOLTAGE:

For 15kV, and below applications.

CONTINUOUS THERMAL

CURRENT RATING FACTOR:

up to 1500:5 ratio

1.50 at 30°C. amb., 1.00 at 55°C. amb.

2000:5 to 3000:5 ratios

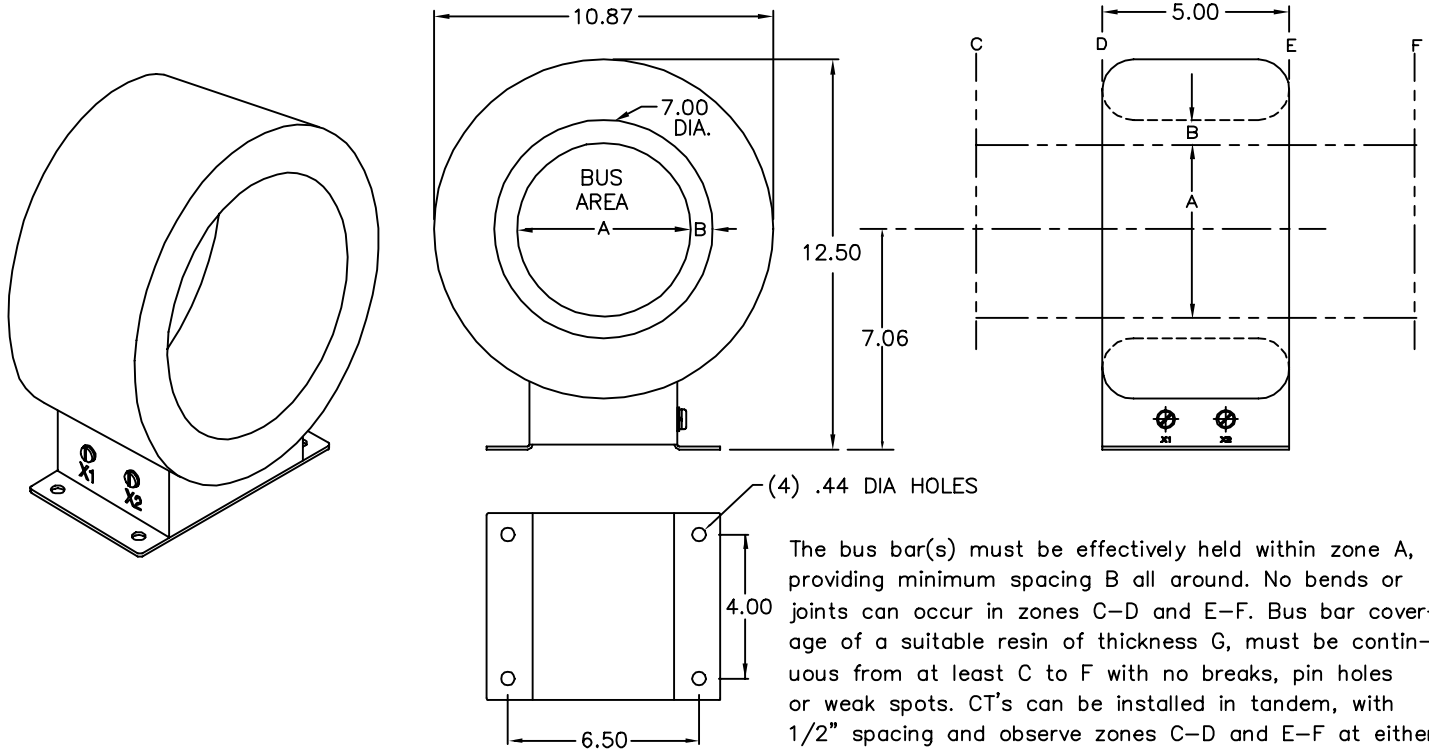
1.33 at 30°C. amb., 1.00 at 55°C. amb.

4000:5 ratio

1.00 at 30°C. amb., 0.75 at 55°C. amb.

- Secondary terminals are 10-32 brass screws with one flatwasher and lockwasher.
- Vacuum cast in polyurethane resin.
- Steel mounting base.
- Approximate weight 55 lbs.

Manufactured to meet the requirements of ANSI/IEEE C57.13.
Classified by U.L. in accordance with IEC 44-1



(4) .44 DIA HOLES

The bus bar(s) must be effectively held within zone A, providing minimum spacing B all around. No bends or joints can occur in zones C-D and E-F. Bus bar coverage of a suitable resin of thickness G, must be continuous from at least C to F with no breaks, pin holes or weak spots. CT's can be installed in tandem, with 1/2" spacing and observe zones C-D and E-F at either end.

By itself the CT is rated 600 volt class, 10kV BIL. With suitable spacing and insulated bus, a higher voltage class, and impulse level can be achieved, including 5kV, 60kV BIL and 15kV, 110kV BIL.

The following applies ONLY after proper installation of the bus bar.

CLASS	BIL	HI POT	A dia	B min	C-D	E-F	G min
5kV	60kV	19kV	5.75"	0.62"	4.0"	4.0"	0.060
8.7kV	75kV	26kV	5.5"	0.75"	5.0"	5.0"	0.100
15kV	95kV	36kV	5.0"	1.0"	5.5"	5.5"	0.100
15kV	110kV	36kV	5.0"	1.0"	5.5"	5.5"	0.100
15kV	110kV	36kV	4.0"	1.5"	7.0"	7.0"	0.100

No sharp object should occur close to zones C-D and E-F. Only full radius edge bus bar is recommended. Zone A can accommodate (1) 1/2x5 bus bar, or multiples of 1/2x4 with 1/2" spacing to suit. Other sizes like 1/4" and 3/8" can also be used.

CATALOG NUMBER	CURRENT RATIO	RELAY CLASS	ACCURACY CLASS AT 60 Hz							SECONDARY WINDING RESISTANCE (OHMS@75 °C)
			B0.1	B0.2	B0.5	B0.9	B1.8	B1.0	B2.0	
CTO-500	50:5	-	4.8	-	-	-	-	-	-	0.018
CTO-750	75:5	C10	2.4	2.4	-	-	-	-	-	0.028
CTO-101	100:5	C10	1.2	1.2	4.8	-	-	-	-	0.037
CTO-151	150:5	C20	0.6	1.2	2.4	4.8	4.8	4.8	4.8	0.056
CTO-201	200:5	C20	0.6	0.6	1.2	2.4	4.8	2.4	4.8	0.075
CTO-251	250:5	C20	0.3	0.6	1.2	1.2	2.4	1.2	2.4	0.093
CTO-301	300:5	C20	0.3	0.3	0.6	1.2	2.4	1.2	2.4	0.112
CTO-401	400:5	C50	0.3	0.3	0.6	0.6	1.2	0.6	0.6	0.149
CTO-501	500:5	C50	0.3	0.3	0.3	0.6	0.6	0.6	0.6	0.187
CTO-601	600:5	C100	0.3	0.3	0.3	0.3	0.6	0.3	0.6	0.224
CTO-801	800:5	C100	0.3	0.3	0.3	0.3	0.3	0.3	0.3	0.385
CTO-102	1000:5	C100	0.3	0.3	0.3	0.3	0.3	0.3	0.3	0.481
CTO-122	1200:5	C100	0.3	0.3	0.3	0.3	0.3	0.3	0.3	0.578
CTO-152	1500:5	C200	0.3	0.3	0.3	0.3	0.3	0.3	0.3	0.722
CTO-202	2000:5	C200	0.3	0.3	0.3	0.3	0.3	0.3	0.3	0.963
CTO-252	2500:5	C200	0.3	0.3	0.3	0.3	0.3	0.3	0.3	1.204
CTO-302	3000:5	C200	0.3	0.3	0.3	0.3	0.3	0.3	0.3	1.443
CTO-402	4000:5	C100	0.3	0.3	0.3	0.3	0.3	0.3	0.3	1.608

