

Meter Relays

244 Series Analogue Meter Relays



244 series meter relays combine a highly accurate indicator with high and low set-points which can operate alarm and control circuits when the monitored signal value moves outside the set-point limits indicated by the adjustable red index pointers.

These relays monitor and control any parameter which can be converted into an A.C. or D.C. signal.

The indicator, relays and power unit are in one housing and the control function continues should the indicator become damaged. A time delay is available as an optional extra.

Applications

- » Voltage monitoring/control current monitoring
- » Overload alarm
- » Battery monitoring/charging
- » Temperature indication
- » Temperature control
- » Load shedding
- » Power factor correction
- » Frequency monitoring
- » Level control

Approvals



Meter Relays

Meter Relays	Product Code
1 relay, 2 set-points Upscale de-energised, downscale energised	244-300
1 relay, 1 set-point Upscale de-energised, downscale energised	244-301
2 relays, 2 set-points Mid-band de-energised, outside band energised	244-302
2 relays, 2 set-points Both upscale energised, downscale de-energised	244-303
2 relays, 2 set-points High & low mid-band energised, outside band de-energised	244-304
2 relays, 2 set-points Both upscale de-energised, downscale energised	244-305
1 relay, 1 set-point Upscale de-energised, downscale energised	244-307
2 relays, 2 set-points High and high upscale de-energised	244-308
1 relay, 2 set-points Low de-energised, high energised	244-309
RDT operated 2 relays, 2 set-points Mid-band de-energised, outside band energised	244-30R
Thermo couple 2 relays, 2 set-points Mid-band de-energised, outside band energised	244-30T

Options

BP Polycarbonate window	SM Customer logo on dial
CT Calibrated at customer specified temperature	SN No logo on dial
DS Dual scale	SR Red index line on dial
FK Finger knob adjustment	SZ Coloured band on dial
LB Both relays latch, remove auxiliary supply to reset	TB Time delay 0.3 - 10 sec
LH High relays latch, remove auxiliary supply to reset	TC Time delay 0.3 - 30 sec
LL Low relays latch, remove auxiliary supply to reset	TD Time delay 0.3 - 20 sec
PD Heavily damped movement	TH Time delay 0.3 - 10 sec high relay
PG Panel gasket	TI Time delay 0.3 - 30 sec high relay
SL Red line on dial	TL Time delay 0.3 - 10 sec low relay
	TM Time delay 0.3 - 30 sec low relay
	TP Time proportional control

Compton
INSTRUMENTS

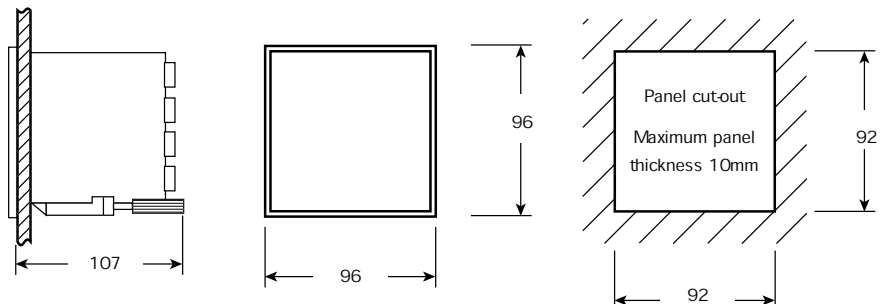
Meter Relays

244 Series Analogue Meter Relays

Specification

Accuracy Indicator:	Class 1.5	Optional Ratings:	
Set-point:	Class 1.5	D.C. Volts:	20mV to 500V (10K Ω /V)
Repeatability:	0.5%	D.C. Current:	10 μ A to 15A (20mV drop)
Differential:	1% of span	Thermocouple:	Types J, K, R, S, T minimum 10mV span
Set-point adjustment:	98% of scale	RTD:	2 wire 10 Ω copper 100 Ω platinum, 120 Ω nickel
Minimum span:	2% between set points		
Ratings:		Auxiliary Supply:	
A.C. Volts:	6V to 500V (1K Ω /V) 50/60Hz	A.C.:	Dual rating 100/125V or 200/250V 50/60Hz.
Single Frequencies:	25Hz to 3kHz on request	D.C.:	12V or 24V. +/-14% Maximum 15% ripple on unregulated supplies
A.C. Current:	100 μ A to 1A (1V drop) 1A & 5A C.T. operation (0.5VA) 50/60Hz.	Burden:	3VA maximum
Frequencies:	25Hz to 3kHz on request	Fixing:	Screw clamps
Time delay:	0.3 to 10 or 0.3 to 30 seconds	Enclosure:	IP52

Dimensions



Connections

