

INDOOR VOLTAGE TRANSFORMER

Model PT7A-1-150

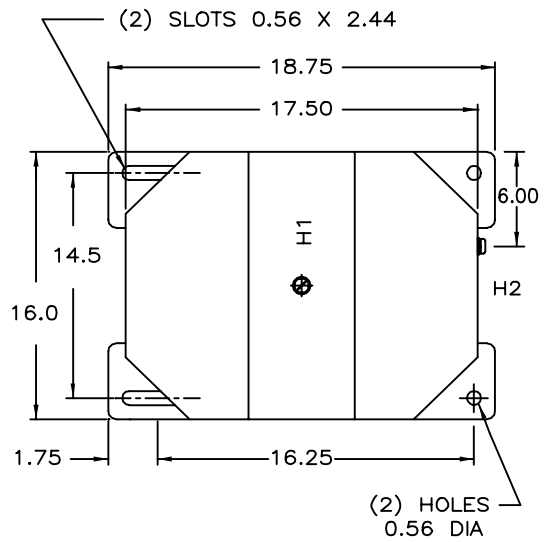
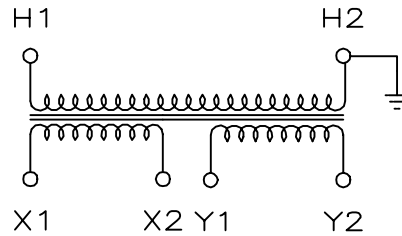
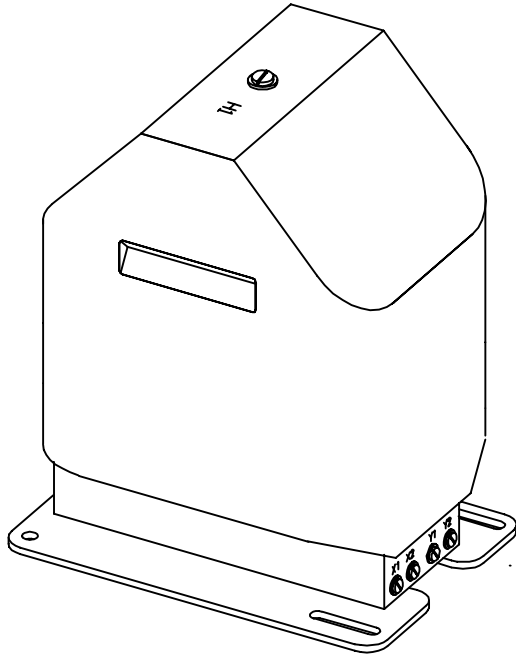
ACCURACY CLASS:
0.3 ZZ/0.3 ZZ

FREQUENCY
60 Hz.

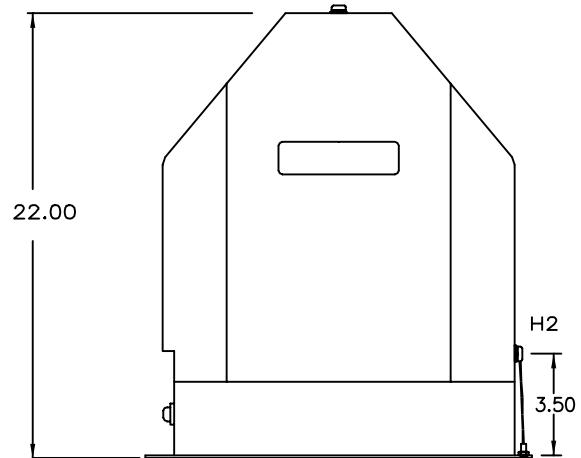
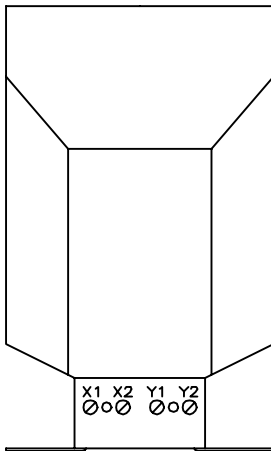
INSULATION CLASS:
34.5 kV, BIL 150kV full wave.

THERMAL RATING:
1500/1500 VA @
30°C ambient.

- Primary terminals are 3/8–16 brass screws with one flatwasher and lockwashers.
- Secondary terminals are 1/4–20 brass screws with one flatwasher and lockwashers. Two terminal covers (Not shown) are provided.
- The core and coil assembly is vacuum encapsulated in polyurethane resin.
- Approximate weight: 490 lbs.



ONE BUSHING



TRANSFORMERS CONNECTED LINE-TO-GROUND CANNOT BE CONSIDERED TO BE GROUNDING TRANSFORMERS AND MUST NOT BE OPERATED WITH THE SECONDARIES IN CLOSED DELTA, BECAUSE EXCESSIVE CURRENTS MAY FLOW IN THE DELTA.