

# INDOOR VOLTAGE TRANSFORMER

Model PT7A-2-150

**ACCURACY CLASS:**

0.3 ZZ/0.3 ZZ

**FREQUENCY**

60 Hz.

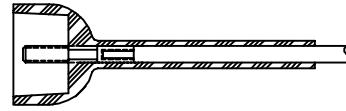
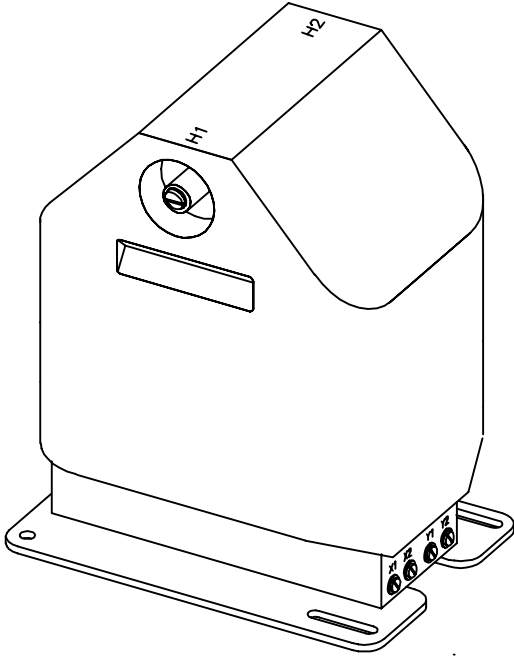
**INSULATION CLASS:**

34.5 kV, BIL 150kV full wave.

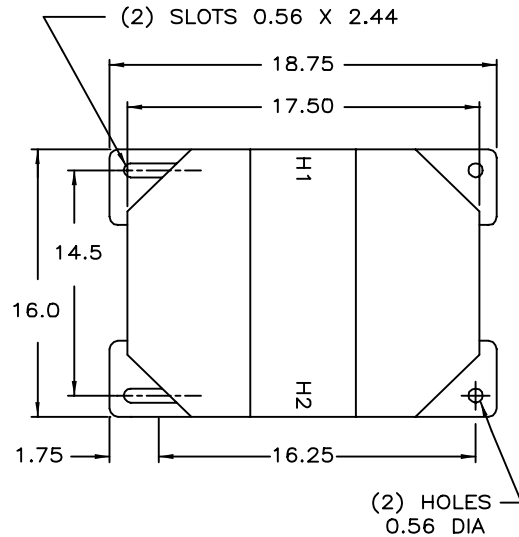
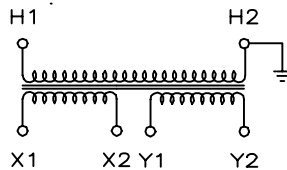
**THERMAL RATING:**

1500/1500 VA @  
30°C ambient.

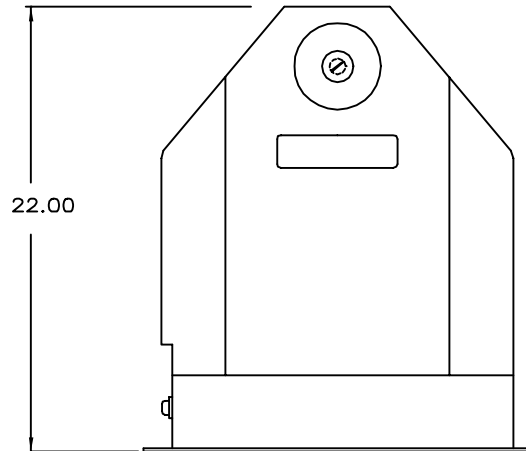
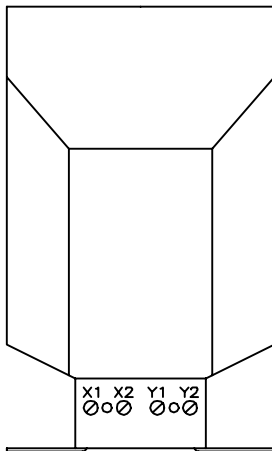
- Primary terminals are 3/8–16 brass screws with one flatwasher and lockwashers.
- Secondary terminals are 1/4–20 brass screws with one flatwasher and lockwashers. Two terminal covers (Not shown) are provided.
- The core and coil assembly is vacuum encapsulated in polyurethane resin.
- Approximate weight: 490 lbs.



Suggested primary terminal kit No. 0882B06446 is available at extra cost.  
(Includes 2 each 3/8–16 terminals, terminal boots and 48" of No.6, 15kV lead wire. Order above kit as a separate item.)



**TWO BUSHING**



TRANSFORMERS CONNECTED LINE-TO-GROUND CANNOT BE CONSIDERED TO BE GROUNDING TRANSFORMERS AND MUST NOT BE OPERATED WITH THE SECONDARIES IN CLOSED DELTA, BECAUSE EXCESSIVE CURRENTS MAY FLOW IN THE DELTA.