

INDOOR VOLTAGE TRANSFORMER

Model PT8-1-250

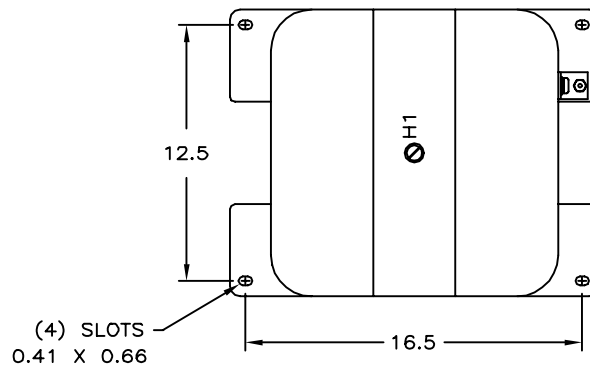
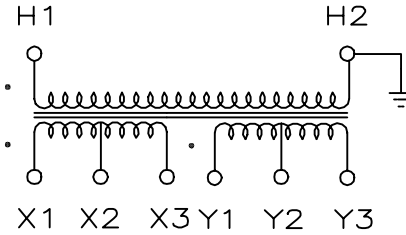
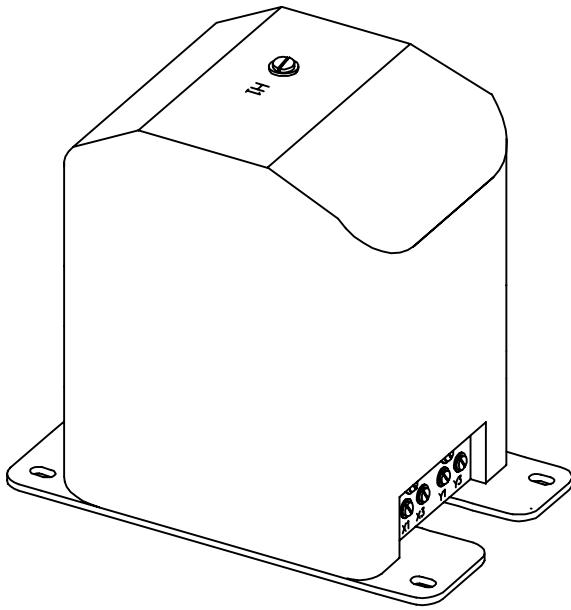
ACCURACY CLASS:
0.3 WXY, 1.2Z on any winding and any tap.

FREQUENCY
60 Hz.

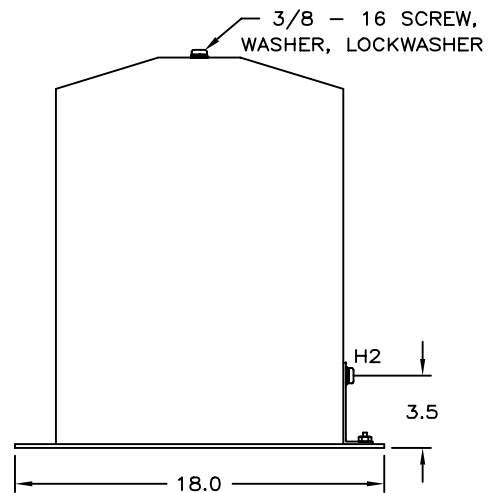
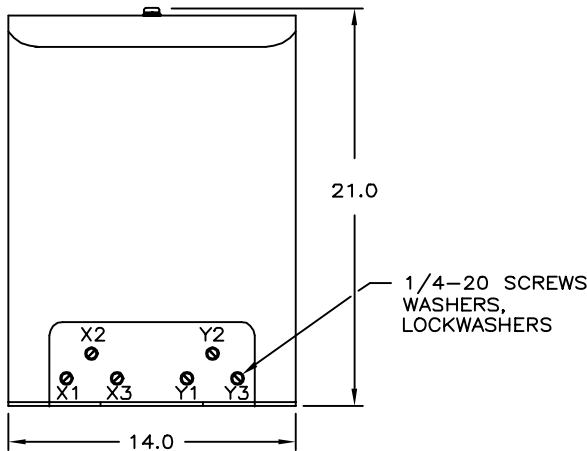
INSULATION CLASS:
34.5 kV, BIL 250kV full wave.

THERMAL RATING:
Combined load of 500VA from each of X2-X3 and Y2-Y3 or 750VA from each X1-X3 and Y1-Y3, all at 30°C ambient.

- Primary terminals are 3/8-16 brass screws with one flatwasher and lockwashers.
- Secondary terminals are 1/4-20 brass screws with one flatwasher and lockwashers. Two terminal covers (Not shown) are provided.
- The core and coil assembly is vacuum encapsulated in polyurethane resin.
- Approximate weight: 290 lbs.



ONE BUSHING



TRANSFORMERS CONNECTED LINE-TO-GROUND CANNOT BE CONSIDERED TO BE GROUNDING TRANSFORMERS AND MUST NOT BE OPERATED WITH THE SECONDARIES IN CLOSED DELTA, BECAUSE EXCESSIVE CURRENTS MAY FLOW IN THE DELTA.